



Ironmongery Specification for Healthcare

CONTENTS

1.	A1	Standard hinge for wooden doors with metal frame
2.	B1	Euro profile cylinder lock for wooden doors
3.	B2	Euro profile deadlock for wooden doors
4.	B3	Mortise bathroom lock for wooden doors
5.	B4	Electromagnetic door lock
6.	B5	Electromagnetic door lock bracket kit
7.	C1	Euro profile double cylinder 120mm
8.	C2	Euro profile double cylinder 80mm
9.	C3	Euro profile single cylinder 40mm
10.	D1	Overhead door closer, with standard arm.
11.	D2	Overhead door closer, with arm, delayed action.
12.	D3	Door coordinator for wooden doors
13.	E1	Lever handles on backplate for euro profile cylinder
14.	E2	Lever handles on backplate for WC
15.	E3	Pull handle with bolt through fixings
16.	E4	Pull handle with back-to-back fixings
17.	E5	Disabled access grab bar
18.	E6a	Push plate – standard
19.	E6b	Push plate - figurine
20.	E7	Kick Plate
21.	E8	Lever action flush bolt for wooden doors
22.	E9	Floor mounted door stop
23.	E10	Dust excluding socket
24.	E11	Sign female, male, disabled and shower
25.	F1	Panic bolt for single doors
26.	F2	Panic bolt for non-rebated double doors
27.	F3	Outside access device

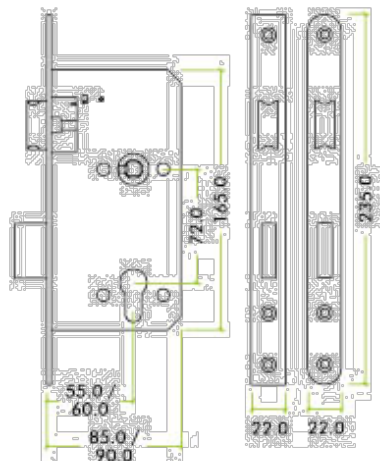


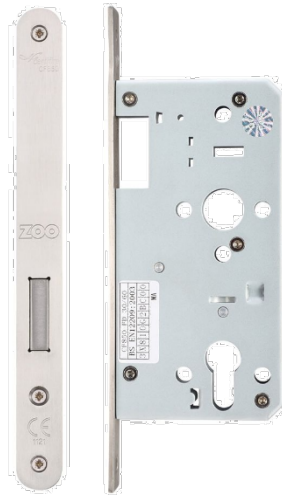
- Code: Hinge
- Tested to BS EN 1935:2002
- Size: 100mm x 86mm x 3mm
- Loading Capacity: Certified for 80kg
- Antibacterial
- Approved for fire doors
- Grade 304 stainless steel



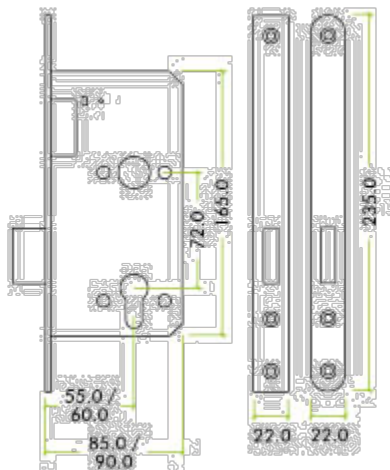


- Code: ZDL7255RSS
 - Tested to BS EN 12209
- | | | | | | | | | | | |
|---|---|---|---|---|---|---|---|---|---|---|
| 3 | X | 8 | 1 | 0 | G | 2 | B | C | 2 | 0 |
|---|---|---|---|---|---|---|---|---|---|---|
- 85mm case size, 55mm back set, 72mm c/c
 - Radius profile – 22mm
 - Double throw deadbolt.
 - Anti-rattle strike
 - Approved for fire doors
 - 10-year mechanical guarantee
 - Front plate / strike: Stainless Steel.



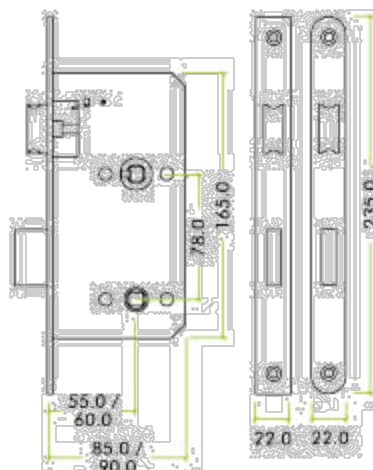


- Code: ZDL0055RSS
 - Tested to BS EN 12209
- | | | | | | | | | | | |
|---|---|---|---|---|---|---|---|---|---|---|
| 3 | X | 8 | 1 | 0 | G | 2 | B | C | 0 | 0 |
|---|---|---|---|---|---|---|---|---|---|---|
- 85mm case size, 55mm back set, 72mm c/c
 - Radius profile – 22mm
 - Grade 304 stainless steel deadbolt.
 - Approved for fire doors
 - 10-year mechanical guarantee
 - Front plate / strike: Stainless Steel.





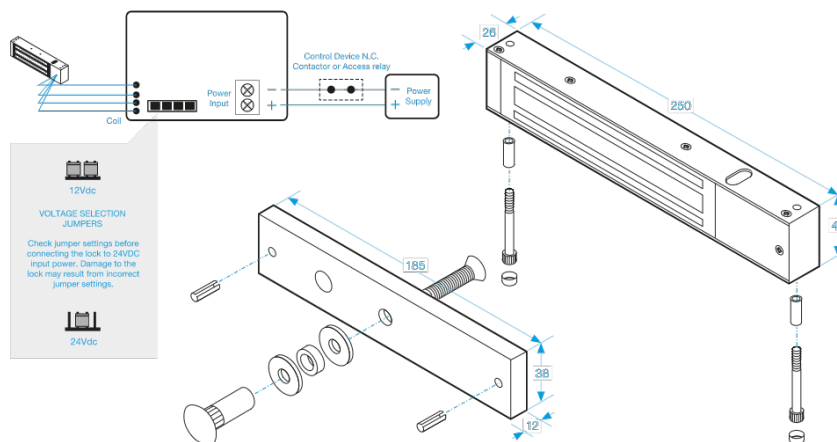
- Code: ZDL7855RSS
 - Tested to BS EN 12209
- | | | | | | | | | | | |
|---|---|---|---|---|---|---|---|---|---|---|
| 3 | X | 8 | 1 | 0 | G | - | B | G | 2 | 0 |
|---|---|---|---|---|---|---|---|---|---|---|
- 85mm case size, 55mm back set, 78mm c/c
 - Radius profile – 22mm
 - Anti-rattle strike
 - Grip tight follower
 - Grade 304 stainless steel forend.
 - Approved for fire doors
 - 10-year mechanical guarantee
 - Front plate / strike: Stainless Steel.



B4 Electromagnetic door lock



- Code: 10001
- Voltage tolerance: $\pm 15\%$
- Size: 228mm \times 38mm \times 27 mm
- Holding force up to 272Kg
- Fail-Safe (Power-to-Lock)
- Operating temperature: $-10\sim 55^{\circ}\text{C}$
- Finish: Aluminium



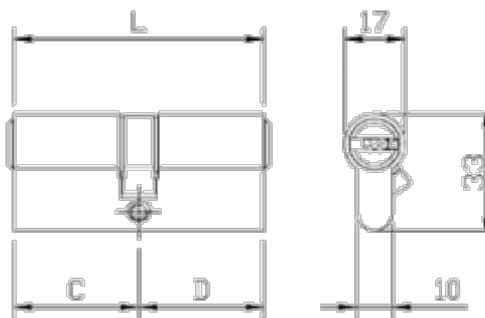


- Code: 300ZL
- 71mm × 284mm × 46 mm
- Adjustable
- Finish: Aluminium

C1 Euro profile double cylinder 120mm



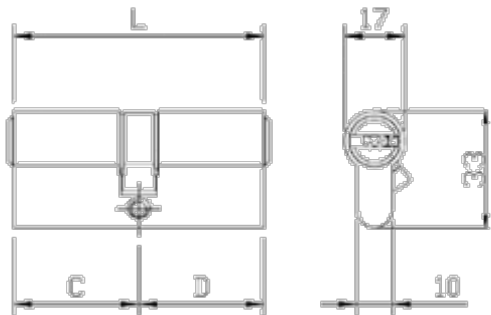
- Code: F6
- Tested to BS EN 1303:2005
- | | | | | | | | |
|---|---|---|---|---|---|---|---|
| 1 | 6 | 0 | 1 | 0 | C | 6 | 0 |
|---|---|---|---|---|---|---|---|
- Size: 50mm x 70mm
- Master keyed
- Double 6 pins cylinder
- Anti-drill device in the cylinder body.
- Approved for fire doors
- Finish: Satin Nickel



C2 Euro profile double cylinder 80mm

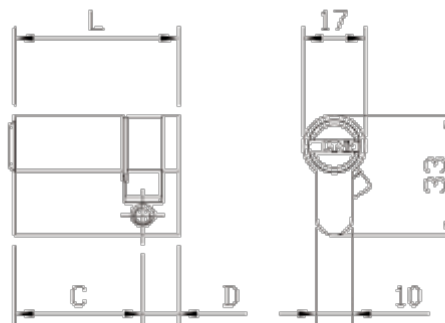


- Code: F6
- Tested to BS EN 1303:2005
- | | | | | | | | |
|---|---|---|---|---|---|---|---|
| 1 | 6 | 0 | 1 | 0 | C | 6 | 0 |
|---|---|---|---|---|---|---|---|
- Size: 40mm x 40mm
- Master keyed
- Double 6 pins cylinder
- Anti-drill device in the cylinder body.
- Approved for fire doors
- Finish: Satin Nickel

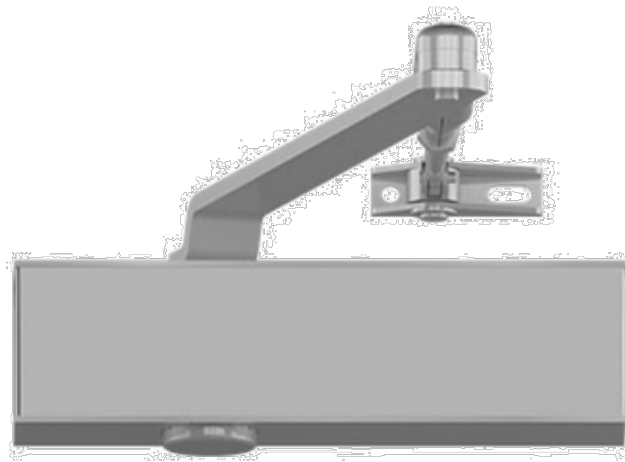




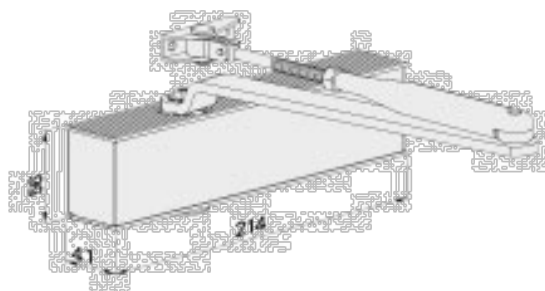
- Code: F6
 - Tested to BS EN 1303:2005
- | | | | | | | | |
|---|---|---|---|---|---|---|---|
| 1 | 6 | 0 | 1 | 0 | C | 6 | 0 |
|---|---|---|---|---|---|---|---|
- Size: 30mm x 10mm
 - Master keyed
 - Double 6 pins cylinder
 - Anti-drill device in the cylinder body.
 - Approved for fire



D1	Overhead door closer, with standard arm.
-----------	---



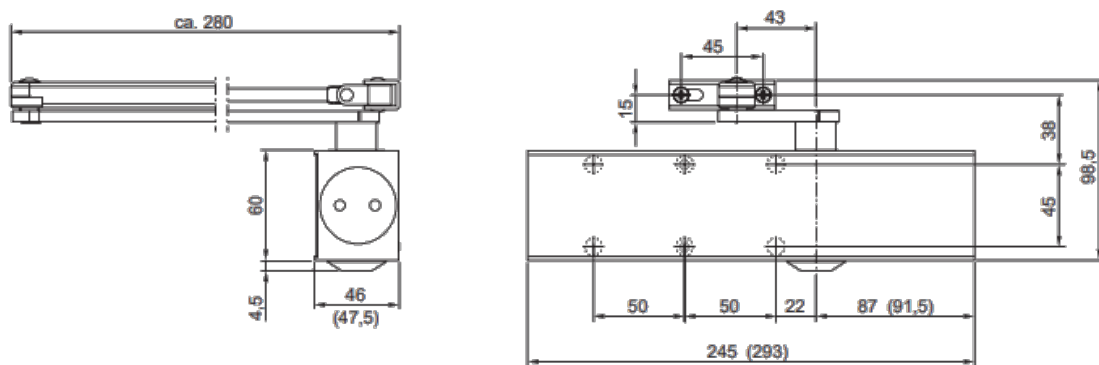
- Code: TS-14 EN
- Closing force 2/3/4 Tested to EN 1154
- Size: 214mm x 41mm x 56mm max. opening angle 180°
- Adjustable closing and latching speed
- DIN left/right
- Approved for fire doors
- Finish: Silver





- Code: TS83
- Closing force 3-6. Tested to EN 1154
- Size: 245mm x 46mm x 60mm max. opening angle 180°
- Adjustable latching action
- DIN left/right
- Approved for fire doors

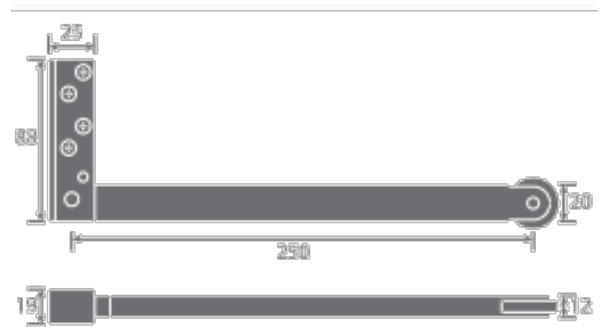
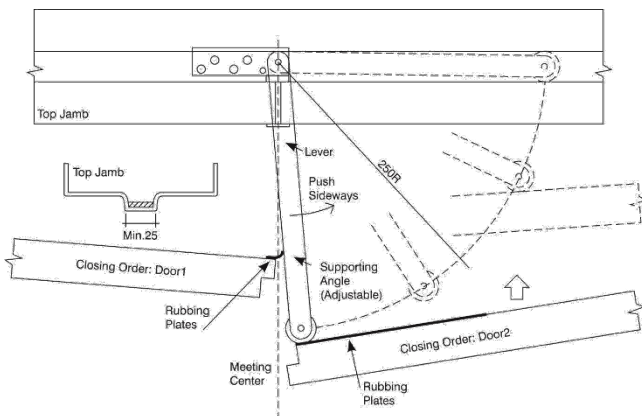
Finish: Silver



D3 Door coordinator for wooden doors



- Code: SF250F
- Size: 275mm x 88mm.
- Tested to BS EN1634-1:2014. .
- Fitted on door frame. DIN left/right
- Approved for fire doors
- Finish: Stainless steel



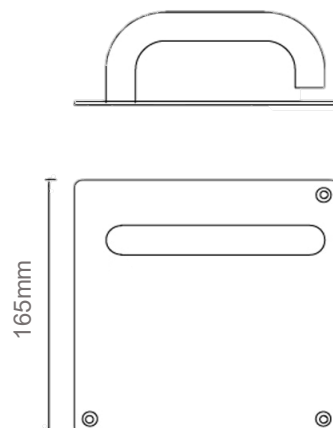
E1 Lever handles on backplate for euro profile cylinder



- Code: 1027
- Complies with BS EN 1906:2012, BS EN 1634-1

3	7	0	B	0	3	0	B
---	---	---	---	---	---	---	---

- Size: 165mm x 165mm
- **Antibacterial coating**
- Approved for fire doors
- Grade 304 stainless steel



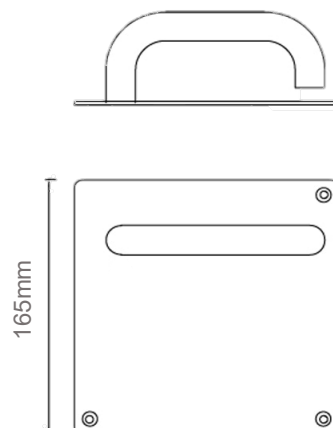
E2 Lever handles on backplate for WC



- Code: 1029/1030
- Complies with BS EN 1906:2012, BS EN 1634-1

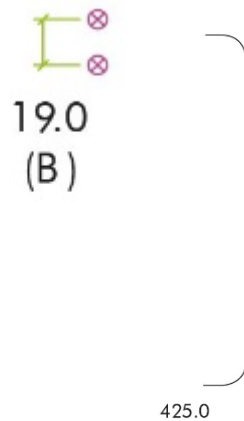
3	7	0	B	0	3	0	B
---	---	---	---	---	---	---	---

- Size: 165mm x 165mm
- **Antibacterial coating**
- Approved for fire doors
- Grade 304 stainless steel





- Code: REGP425BF-SSS-AG
- Tested to BS EN 1634-1
- Size: 19mm x 425mm
- 19mm tubular
- Antibacterial
- Approved for fire doors
- 10-year mechanical guarantee
- Grade 304 stainless steel



E4 Pull handle with back-to-back fixings

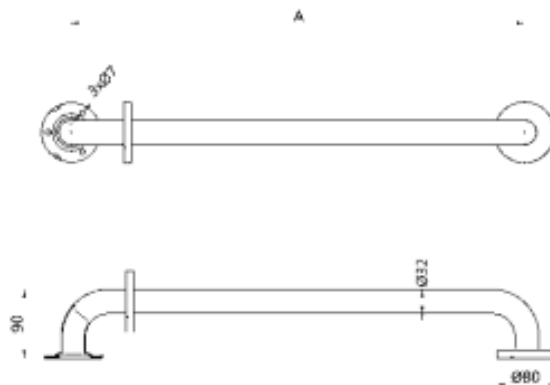


- Code: REGP425BF-SSS-AG/REGBB19-SSS-AG
- Tested to BS EN 1634-1
- Size: 19mm x 425mm
- 19mm tubular
- Antibacterial
- Approved for fire doors
- 10-year mechanical guarantee
- Grade 304 stainless steel

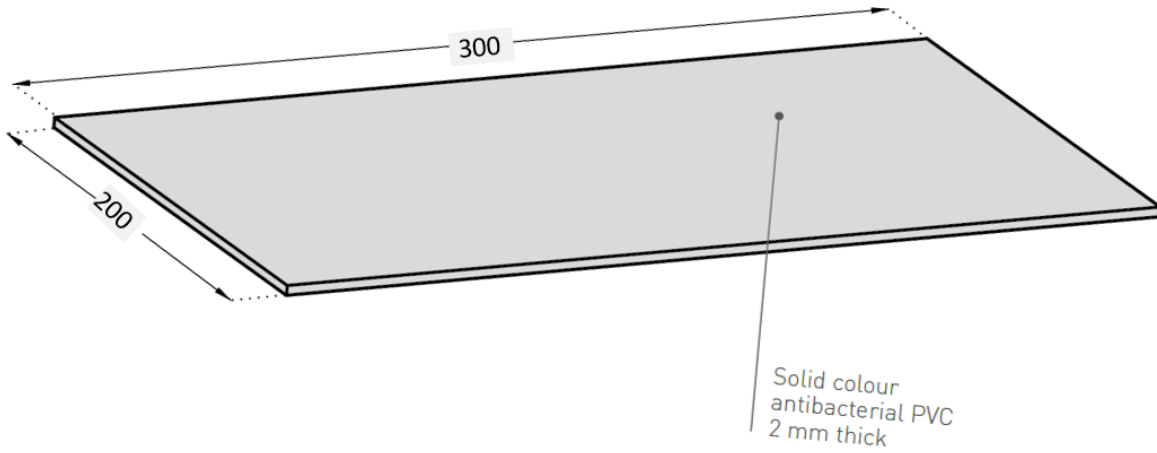




- Code: SGB2.32.600.SSS
- Tested to BS EN 1634-1
- Size: 600mm
- Diameter: 32mm
- Suitable for wet areas
- Grade 304 stainless steel



E6a Push Plate - standard



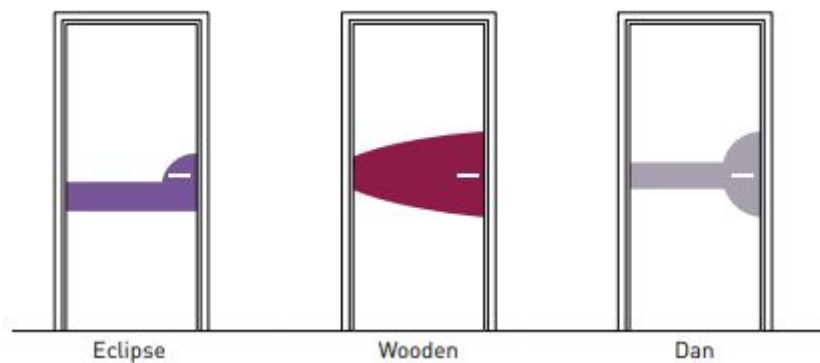
- Code: Decochoc
- Achieving Bs2d0 fire rating
- Tested to ISO 16000-6
- Thickness: 2mm
- Antibacterial PVC
- Colour: Choice of architect



E6b Push Plate - Figurine

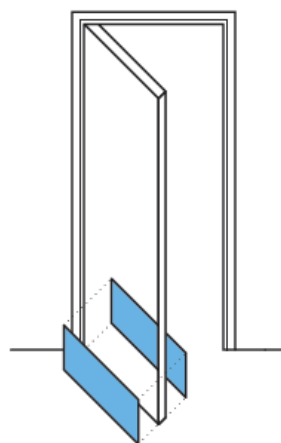
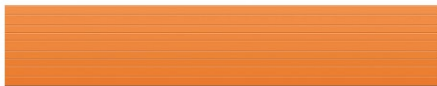


- Code: Decochoc
- Achieving Bs2d0 fire rating
- Tested to ISO 16000-6
- Thickness: 2mm
- Antibacterial PVC
- Colour: Choice of architect





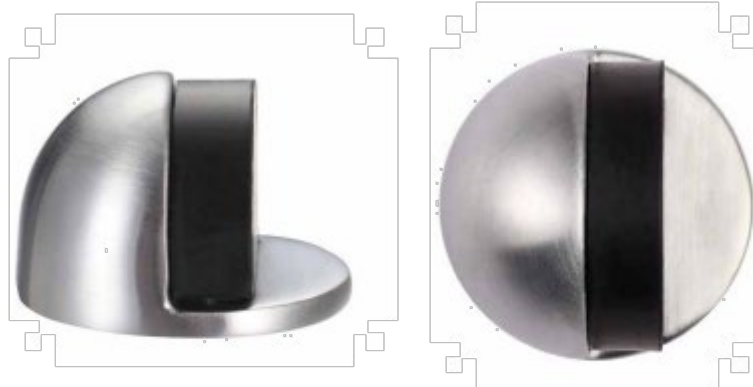
- Code: Contact 200
- Tested to ISO 16000-6
- Size: Height: 200mm X Width: door width.
- Thickness: 2.5mm
- Antibacterial PVC
- Colour: Choice of architect



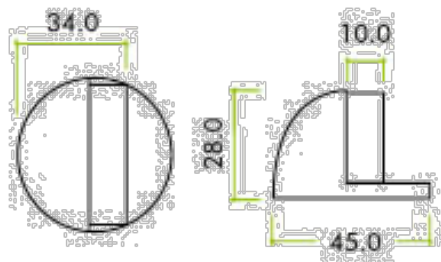


- Code: ZAS03SS
- Size: 20mm x 203mm.
- Bolt diam.11mm
- Adjustable bolt throw
- 10 years guarantee
- Grade 304 stainless steel

E9 Floor mounted dome door stop



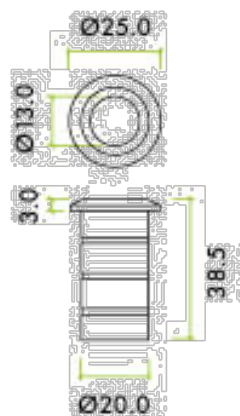
- Code: ZAS06SS
- Size: 45mm diameter
- Solid construction
- Concealed fix
- Approved for fire doors
- 10-year mechanical guarantee
- Grade 304 stainless steel



E10 Dust excluding socket

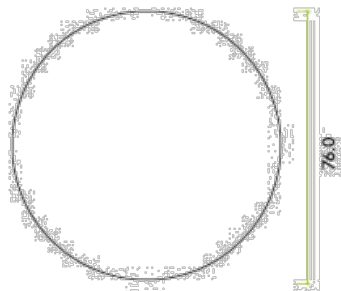


- Code: ZAS14SS
- 20mm x 25mm
- For use with flush bolts
- For use with concrete
- Finish: Stainless Steel



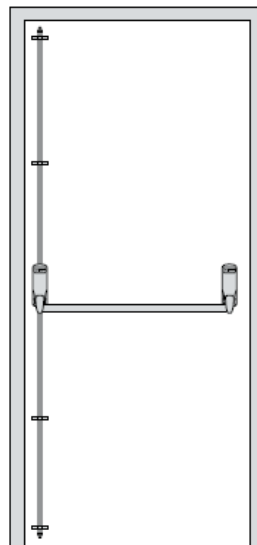
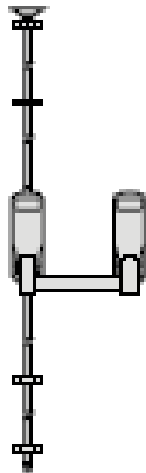


- Code: ZSS01SS/ZSS02SS/ZSS07SS/ZSS04SS
- Diameter: 76mm
- Supplied with two wood screws
- Approved for fire doors
- 10-year mechanical guarantee
- Grade 304 stainless steel



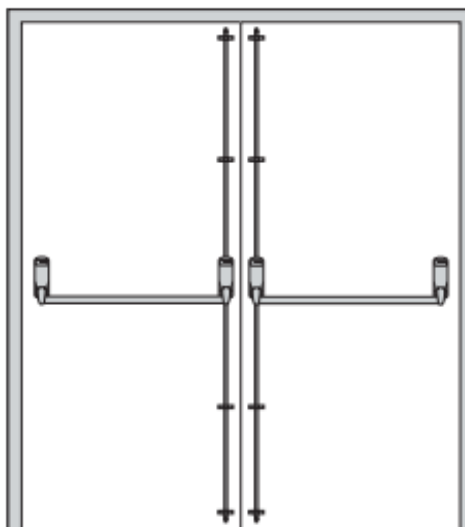


- Code: 294
 - Tested to BS EN 1125
- | | | | | | | | | | |
|---|---|---|---|---|---|---|---|---|---|
| 3 | 7 | 6 | 8 | 1 | 3 | 2 | 2 | A | A |
|---|---|---|---|---|---|---|---|---|---|
- Suitable for doors up to 1220mm wide and 2440mm high (special sizes available on request)
 - Surface mounted
 - Non-handed
 - Approved for fire doors
 - Finish: Silver





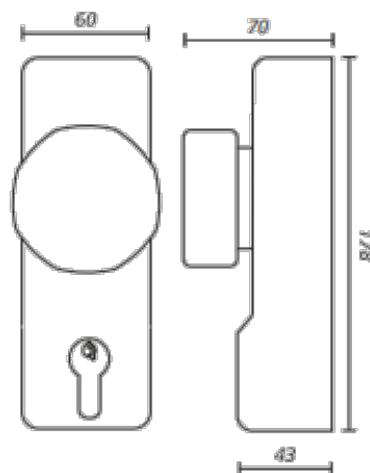
- Code: 284
 - Tested to BS EN 1125
- | | | | | | | | | | |
|---|---|---|---|---|---|---|---|---|---|
| 3 | 7 | 6 | 8 | 1 | 3 | 2 | 2 | A | A |
|---|---|---|---|---|---|---|---|---|---|
- Suitable for doors up to 1220mm wide and 2440mm high (special sizes available on request)
 - Surface mounted
 - Non-handed
 - Approved for fire doors
 - Four-point locking
 - Finish: Silver



F3 Outside access device



- Code: 302
- Size: 178mm x 60mm
- Supplied as standard for doors up to 45mm thick
- Surface mounted
- Approved for fire doors
- Finish: Silver





26/01/2023
